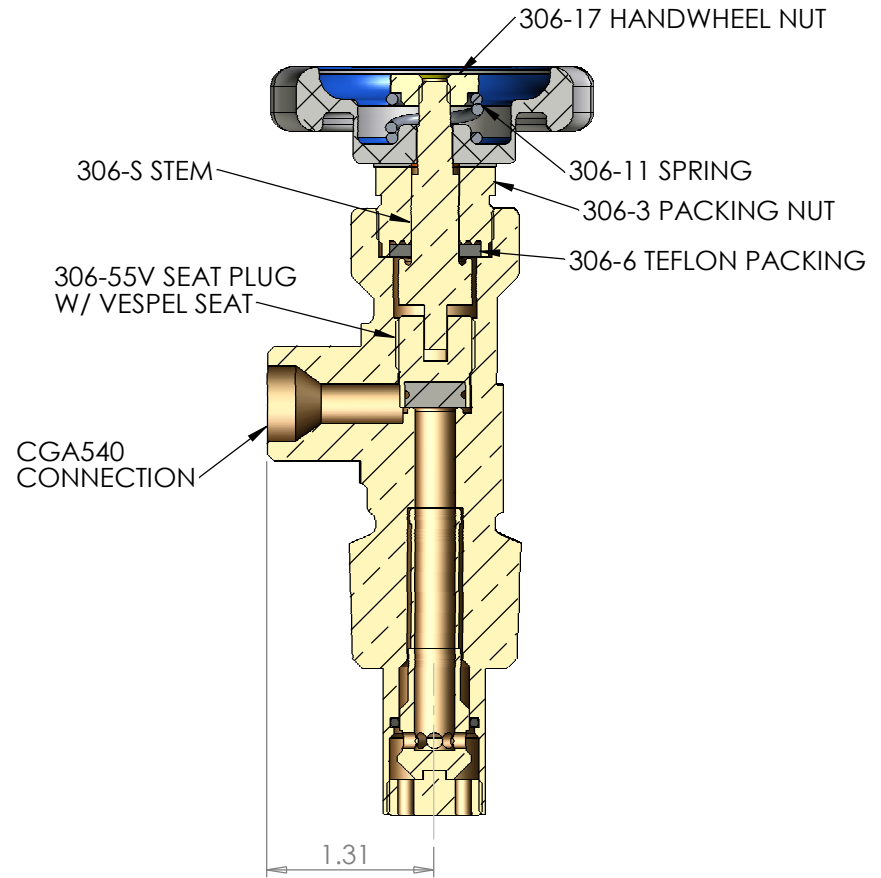


DIMENSIONS ARE APPROXIMATE



SECTION A-A
SCALE 1 : 1.5

SPECIFICATIONS:

- VALVE BODY - BRASS
- SEAT PLUG - BRASS, VESPEL SEAT
- STEM - BRASS
- PACKING NUT - BRASS
- PACKING - VIRGIN TEFLON
- SHEAR POPPET - BRASS COMPONENTS W/ VITON SEAL
- MAXIMUM VALVE BODY OPERATION PRESSURE - 5000 PSI
- REFERENCE CGA PUBLICATION V-1 FOR OUTLET PRESSURE RATINGS WHERE APPLICABLE
- CV FACTOR 1.16

	NAME	DATE	WESTERN VALVE
DRAWN	DCH	11/18/10	
CHECKED	DCH	11/18/10	
MFG APPR.	DCH	11/18/10	
COMMENTS:			
			TITLE:
			P1306N30FV VALVE
SIZE	DWG. NO.	REV	
A	P1306N30FV		
SCALE: 1:5	WEIGHT:	SHEET 1 OF 1	