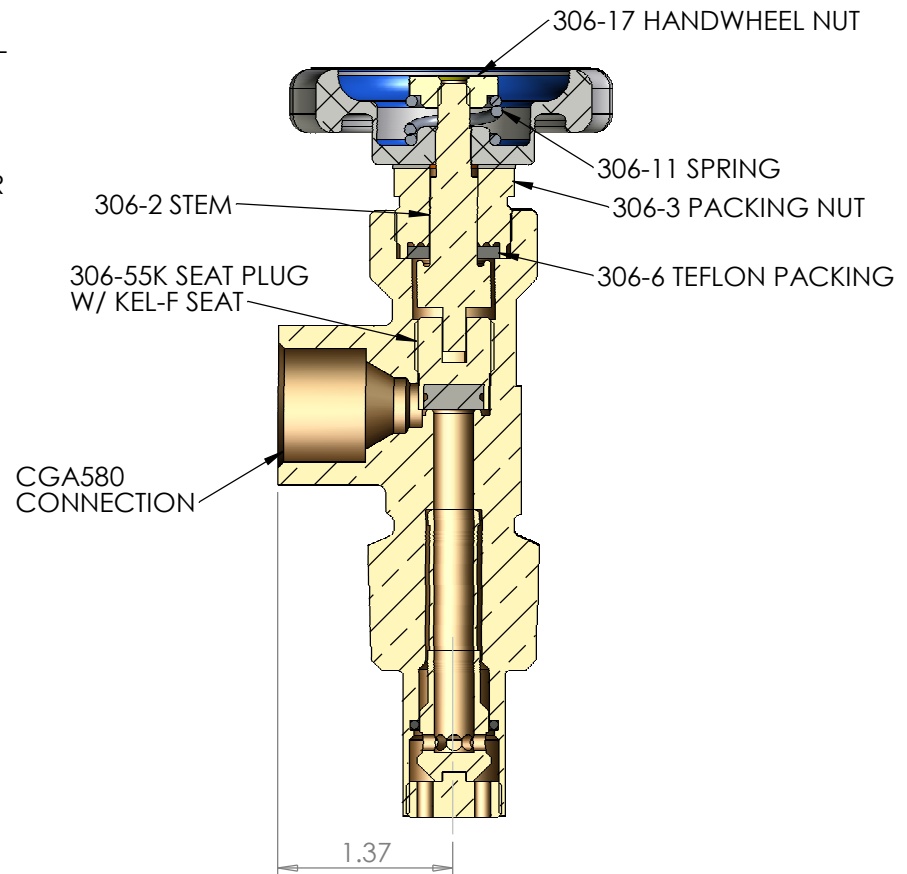


DIMENSIONS ARE APPROXIMATE

SPECIFICATIONS:  
 VALVE BODY - BRASS  
 SEAT PLUG - BRASS, KEL-F SEAT  
 STEM - BRASS  
 PACKING NUT - BRASS  
 PACKING - VIRGIN TEFLON  
 SHEAR POPPET - BRASS W/ VITON SEAL  
 MAXIMUM VALVE BODY OPERATING PRESSURE 5000 PSI  
 REFERENCE CGA PUBLICATION V-1 FOR OUTLET PRESSURE RATINGS WHERE APPLICABLE  
 Cv FACTOR - 1.16



SECTION A-A  
 SCALE 1 : 1.5

	NAME	DATE	<b>WESTERN VALVE</b>	
DRAWN	DCH	11/17/10	TITLE:	
CHECKED	DCH	11/17/10	P1306N32F VALVE	
MFG APPR.	DCH	11/17/10	SIZE	DWG. NO.
COMMENTS:			<b>A</b>	<b>P1306N32F</b>
			SCALE: 1:5	WEIGHT:
				SHEET 1 OF 1