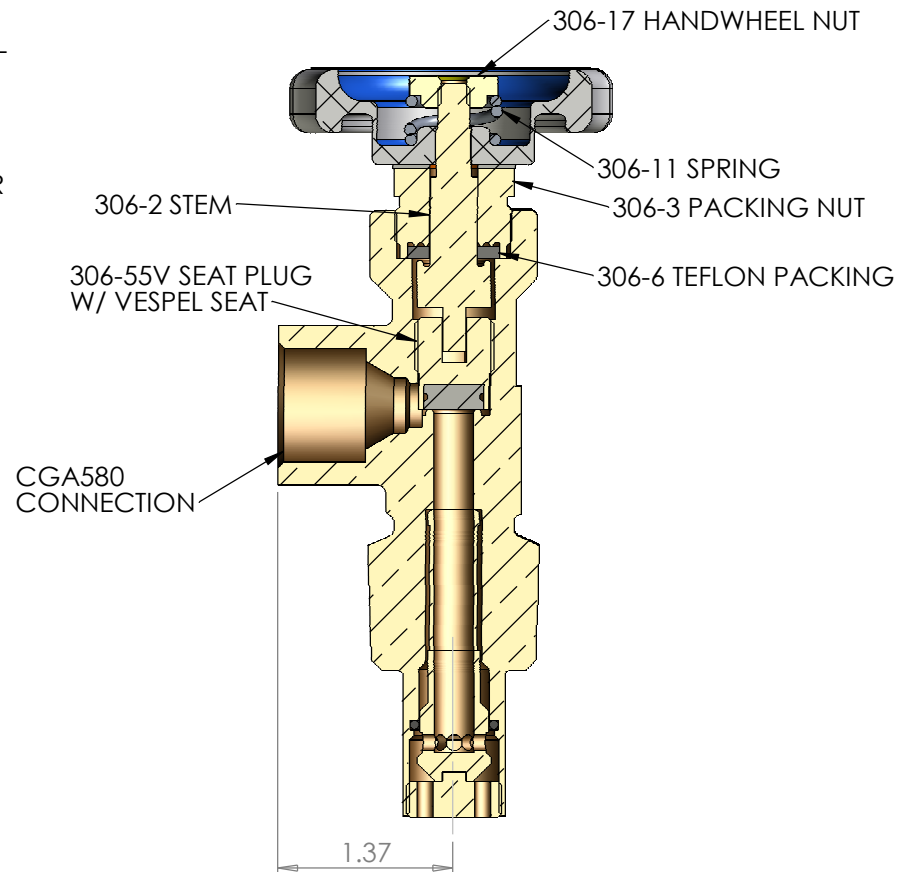


DIMENSIONS ARE APPROXIMATE

SPECIFICATIONS:
 VALVE BODY - BRASS
 SEAT PLUG - BRASS, VESPEL SEAT
 STEM - BRASS
 PACKING NUT - BRASS
 PACKING - VIRGIN TEFLON
 SHEAR POPPET - BRASS W/ VITON SEAL
 MAXIMUM VALVE BODY OPERATING PRESSURE 5000 PSI
 REFERENCE CGA PUBLICATION V-1 FOR OUTLET PRESSURE RATINGS WHERE APPLICABLE
 Cv FACTOR - 1.16



SECTION A-A
 SCALE 1 : 1.5

	NAME	DATE	WESTERN VALVE	
DRAWN	DCH	11/17/10	TITLE: P1306N32FV VALVE	
CHECKED	DCH	11/17/10		
MFG APPR.	DCH	11/17/10	SIZE DWG. NO. REV A P1306N32FV	
COMMENTS:				
SCALE: 1:5			WEIGHT:	SHEET 1 OF 1